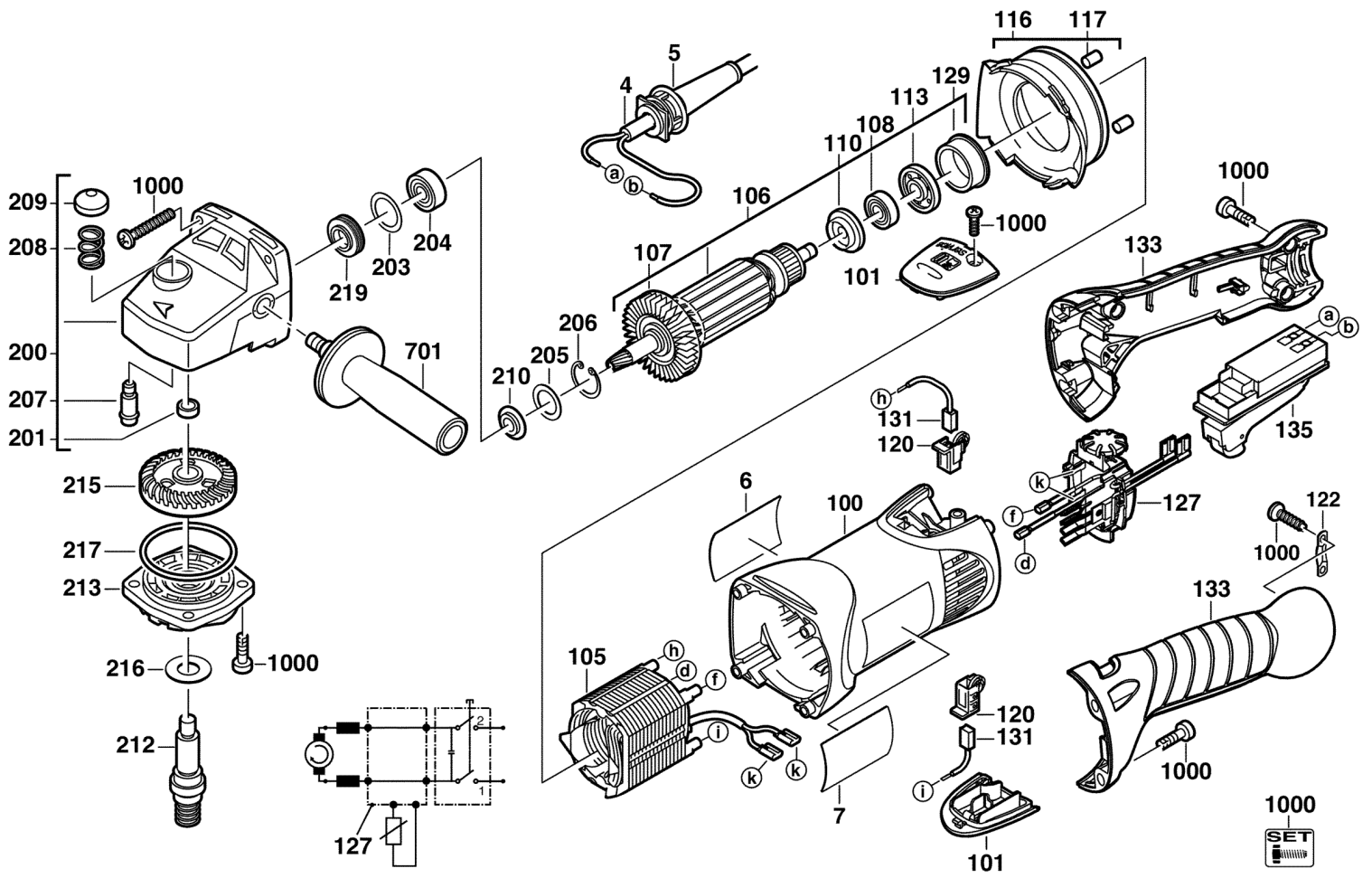


ANGLE POLISHER

4933383925 - AP12E - 4000415167



Position	Quantity	Description	Part number	EAN
0004	1	CONNECTION CABLE	4931623311	4002395701292
0005	1	PROTECTING COVER	4931409552	4002395801107
0006	1	PIECE PLUS FOURNI,ANNULER VOTRE CDE	4931415168	
0007	1	TYPE PLATE	4931378806	4002395684755
0100	1	MOTOR HOUSING	4931378768	4002395684601
0101	2	COVER	4931378134	4002395683116
0105	1	ELECTRIC FIELD	4931378394	4002395845101
0106	1	ARMATURE	4931378278	4002395845149
0107	1	FAN	4931341088	4002395626205
0108	1	BALL BEARING	4931624360	4002395790890
0110	1	INSULATING DISC	4931271823	4002395588138
0113	1	MAGNETIC DISC	4931307147	4002395856497
0116	1	AIR DEFLECTOR RING	4931378135	4002395683123
0117	2	HOLDING-DOWN DEVICE	4931271824	4002395588145
0120	2	BRUSH HOLDER	4931382268	4002395690961
0122	1	CABLE COLLAR	4931256500	4002395586547
0127	1	ELECTRONIC ELEMENT	4931378393	4002395683871
0129	1	BEARING SLEEVE	4931326953	4002395607846
0131	1	CARBON BRUSH SET	4931381391	4002395726936
0133	1	HANDLE	4931378765	4002395684595
0135	1	SWITCH	4931378983	4002395714629
0200	1	GEAR BOX	4931412273	4002395798926
0201	1	SLEEVE N874989 HKO 0810	4931912093	4002395706464
0203	1	WASHER	4931362085	4002395660254
0204	1	GROOVED BALL BEAR.	4931368037	4002395670642
0205	1	DISC	4931622761	4002395699056
0206	1	LOCKING RING	4931616614	4002395694624
0207	1	LOCKING BOLT	4931326929	4002395607785
0208	1	PRESSURE SPRING	4931326942	4002395607822
0209	1	PUSH-BUTTON	4931326930	4002395607792
0210	1	WASHER	4931624287	4002395732098
0212	1	SPINDLE	4931369770	4002395837168
0213	1	BEARING END PLATE	4931378310	4002395683789
0215	1	SPROCKET	4931378282	4002395793662
0216	1	DISC	4931623480	4002395702398
0217	1	SEAL RING	4931623590	4002395702992
0219	1	GREASE RETAIN.DISC	4931378280	4002395683703
0701	1	HOLDING GRIP	4931369805	4002395674244
1000	1	BOLT SET	4931378570	4002395684205