

Air Motors

ATEX Air Motors



Direct Drive Multi Vane Motors

- MRV & MVA Series motors

In-Line Planetary Gear Multi Vane Motors

- M002, M004 and M007 Series motors

Milling and Sawing Motors

- ARO 2200 - series 78 motors

Air Starter Motors

- A range of Engine Starter motors

CERTIFIED ATEX ZONE 1



For more information, please contact:

UK & Ireland

Ingersoll Rand Sales Company Ltd.
Productivity Solutions
Hindley Green
Wigan
Lancashire
WN2 4EZ
England
Tel: +44 (0)1942 257171
Fax: +44 (0)1942 503451

France & Benelux

Ingersoll Rand
Productivity Solutions
Z.I. du Chêne Sorcier
78346 Les Clayes sous Bois
Tel: +33 (0)1 30 07 68 00
Fax: +33 (0)1 30 07 69 80

Spain & Portugal

Ingersoll Rand Ibérica
Productivity Solutions
Tierra de Barros, 2
28820 - Coslada
Madrid
Spain
Tel: +(34) 91 6277405
Fax: +(34) 91 6277406

www.ingersollrand.com

Distributed by :

Italy

Ingersoll Rand italiana Spa
Strada Provinciale Cassanese 108
20060 VIGNATE, Milano
Italy
Phone: +39 02 950561
Fax: +39 02 95056335

Germany & Central Europe

Ingersoll Rand GmbH
Productivity Solutions
Wilhelmstrasse 20
45478 Mülheim / Ruhr
Tel: +49 / (0)208 / 9994-0
Fax: +49 / (0)208 / 9994-445
www.ingersollrand.de

Nordic & Baltic Region

Ingersoll Rand
Productivity Solutions
Drammensveien 126A
0277 Oslo, Norway
Tel: +47 2255 1526
Fax: +47 2243 6581

Russia & CIS

Ingersoll Rand
Bld. 1, 32/1 Myasnitskaya Street
101990 MOSCOW,
Russia
Phone: +7 095 933 03 24
Fax: +7 095 785 21 26

Czech / Slovak Republic

Ingersoll Rand technical & Services
Ostrovského 34
151 28 PRAGUE,
Czech Republic
Phone: +420 2 57 109 756
Fax: +420 2 57 109 758

Poland

Ingersoll Rand
Nowiniarska 1 ap.1
PL 00-235 WARSAW,
Poland
Phone: +48 22 635 72 45
Fax: +48 22 635 73 32

Southern Africa

Ingersoll Rand Company SA
PO Box 123720
Alrode 1451
South Africa
Tel: +27 11 864 3930
Fax: +27 11 864 3954

Nothing contained within this brochure is intended to extend any warranty or representation, expressed or implied, regarding the products described herein. Any such warranties or other items or conditions of sale of products shall be in accordance with Ingersoll Rand's standard terms and conditions of sale for such products, which are available upon request. Product improvement is a continuing goal at Ingersoll Rand. Designs and specifications are subject to change without notice or obligation.

 **Ingersoll Rand**
Industrial Technologies

 **Ingersoll Rand**

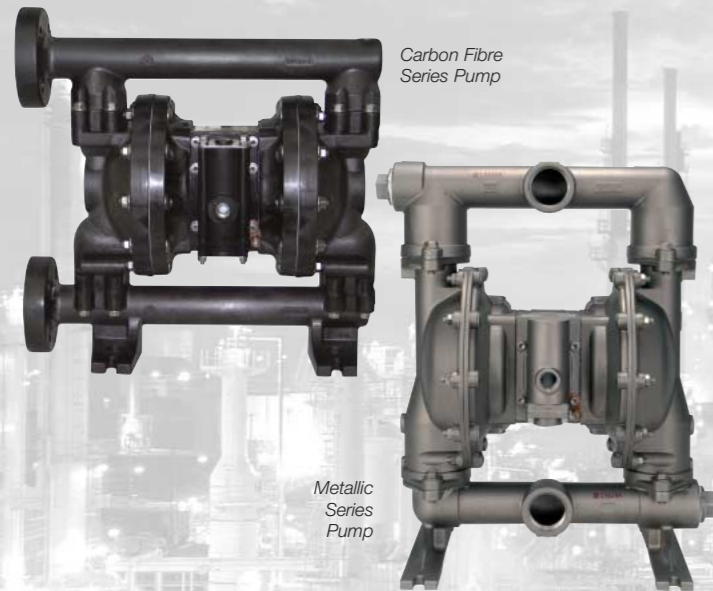
ATEX Certified Products

Pneumatics & Hydraulics Products: Pumps, Motors,
Impact Wrenches & Lifting Equipment



Process Pumps

EXP ATEX Diaphragm Pumps



Smart Carbon Fibre Series

- 1/2", 1", 1 1/2", 2" & 3" models
- Up to 696 lpm flow.
- Up to 46 % energy operating cost savings against competition.

Metallic Series

- 1", 1 1/2", 2" and 3" models.
- Up to 1040 lpm flow.
- Up to 68% energy operating cost savings against competition.

CERTIFIED ATEX ZONE 1



Maintenance & Repair Tools

SP Series Impacttools



Composite bodied pistol grip Impacttools

- 3/4" and 1" square drive models.
- Up to 1620 Nm torque.
- Proven reliability and long-life.



Rugged ZA alloy bodied in-line Impacttools

- Two 1" square drive models.
- Up to 2170 Nm torque.
- Proven reliability and long-life.

CERTIFIED ATEX ZONE 1



Lifting Solutions

Air & Hydraulic Hoists



MLK Series Hoists

- 0.25 to 1 metric ton capacity.

HLK Series Hoists

- 1 to 6 metric ton capacity.

Palair® lube free Hoists

- 0.25 to 2 metric ton capacity.

Liftchain® Pneumatic and Hydraulic Hoists

- 1.5 to 100 metric ton capacity.

Trolleys

- A full selection of plain, geared and motorised trolleys available for all hoists.

Utility & Manriding Air Winches



Utility Winches

- For lifting, pulling or tensioning.
- Portable models from 0.15 to 2 ton capacity.
- Heavy capacity models from 2 to 10 tons.

Manriding Winches

- Dedicated winches for offshore oil and drilling.
- Capacities from 150 to 3100 kg.

All winches have type approval certificates from DNV, ABS or LRS.

CERTIFIED ATEX ZONE 1*



* The hoists are certified to zone 2 as standard. They are specified to zone 1 with special spark resistant package.